



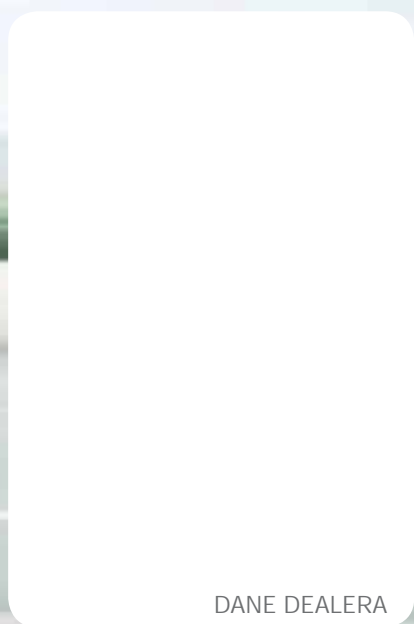
**volvo auto  
polska**

volvocars.pl



PRICE LIST MY'13 (APRIL 2012)

# volvo c30



DANE DEALERA

volvocars.pl

# CONTENTS

PRICE LIST

STANDARD EQUIPMENT

ADDITIONAL EQUIPMENT

SPECIFICATIONS

VOLVO SERVICES

NOTES

# VOLVO C30 MY'13

MODEL	ENGINE	TRANSMISSION		PRICE IN PLN	
		standard	option	excl. VAT	incl. VAT
<b>PETROL ENGINES</b>	<b>(liter/hp)</b>				
C30 2.0	2.0/145	manual 5-speed	–	63,821	78,500
C30 2.0 Kinetic	2.0/145	manual 5-speed	–	67,236	82,700
C30 2.0 Business Edition	2.0/145	manual 5-speed	–	71,301	87,700
C30 2.0 Business Edition Pro	2.0/145	manual 5-speed	–	76,829	94,500
C30 2.0 R-Design	2.0/145	manual 5-speed	–	77,967	95,900
C30 2.0F	2.0/145	manual 5-speed	–	65,203	80,200
C30 2.0F Kinetic	2.0/145	manual 5-speed	–	68,618	84,400
C30 2.0F Business Edition	2.0/145	manual 5-speed	–	72,683	89,400
C30 2.0F Business Edition Pro	2.0/145	manual 5-speed	–	78,211	96,200
C30 2.0F R-Design	2.0/145	manual 5-speed	–	79,350	97,600
C30 T5 Kinetic	2.5/230	manual 6-speed	Geartronic auto. 5-speed	86,423	106,300
C30 T5 Business Edition	2.5/230	manual 6-speed	Geartronic auto. 5-speed	92,033	113,200
C30 T5 Business Edition Pro	2.5/230	manual 6-speed	Geartronic auto. 5-speed	96,016	118,100
C30 T5 R-Design	2.5/230	manual 6-speed	Geartronic auto. 5-speed	97,154	119,500

# VOLVO C30 MY'13

MODEL	ENGINE	TRANSMISSION		PRICE IN PLN	
		standard	option	excl. VAT	incl. VAT
<b>DIESEL ENGINES</b>	<b>(liter/hp)</b>				
C30 D2	1.6/115	manual 6-speed	–	66,911	82,300
C30 D2 Kinetic	1.6/115	manual 6-speed	–	70,325	86,500
C30 D2 Business Edition	1.6/115	manual 6-speed	–	74,390	91,500
C30 D2 Business Edition Pro	1.6/115	manual 6-speed	–	79,919	98,300
C30 D2 R-Design	1.6/115	manual 6-speed	–	81,057	99,700
C30 D2 Start/Stop	1.6/115	manual 6-speed	–	69,350	85,300
C30 D2 Kinetic Start/Stop	1.6/115	manual 6-speed	–	72,764	89,500
C30 D2 Business Edition Start/Stop	1.6/115	manual 6-speed	–	76,829	94,500
C30 D2 Business Edition Pro Start/Stop	1.6/115	manual 6-speed	–	82,358	101,300
C30 D2 R-Design Start/Stop	1.6/115	manual 6-speed	–	78,130	96,100
C30 D3	2.0/150	manual 6-speed	Geartronic auto. 6-speed	71,789	88,300
C30 D3 Kinetic	2.0/150	manual 6-speed	Geartronic auto. 6-speed	75,203	92,500
C30 D3 Business Edition	2.0/150	manual 6-speed	Geartronic auto. 6-speed	79,268	97,500
C30 D3 Business Edition Pro	2.0/150	manual 6-speed	Geartronic auto. 6-speed	84,797	104,300
C30 D3 R-Design	2.0/150	manual 6-speed	Geartronic auto. 6-speed	85,935	105,700
C30 D4 Kinetic	2.0/177	manual 6-speed	Geartronic auto. 6-speed	80,650	99,200
C30 D4 Business Edition	2.0/177	manual 6-speed	Geartronic auto. 6-speed	84,715	104,200
C30 D4 Business Edition Pro	2.0/177	manual 6-speed	Geartronic auto. 6-speed	90,244	111,000
C30 D4 R-Design	2.0/177	manual 6-speed	Geartronic auto. 6-speed	91,382	112,400

# STANDARD EQUIPMENT

## VOLVO C30 MY'13

### SAFETY

6 airbags: frontal for driver and passenger, two side airbags, IC inflatable curtains

Three-point seat belts with seat belts pretensioners for all 4 seats

Seat belt force limiters, front seats

Seat belt reminder, all seats

ISOFIX child seat mountings (rear seats)

Crumple zones

SIPS – SIDE IMPACT PROTECTION SYSTEM

WHIPS – WHIPLASH PROTECTION SEATING SYSTEM  
(front seats)

DSTC – DYNAMIC STABILITY AND TRACTION CONTROL

Anti-lock Brake System (ABS) with Electronic Brake force Distribution (EBD)

EBA – EMERGENCY BRAKE ASSISTANCE

EBL - EMERGENCY BRAKE LIGHTS

IDIS – INTELLIGENT DRIVER INFORMATION SYSTEM

First-aid kit and warning triangle

Headlamps with power headlight height adjustment

Volvo alarm with inclination sensor and mass movement sensor

Immobilizer with rolling code

HOME SAFE light

Side marker lamps

High mounted third stop light

Outside temperature display

Lockable fuel cap

Remote controlled central locking system

Diesel particle filter (DPF) for D2, D3, D4 engines

# STANDARD EQUIPMENT

## VOLVO C30 MY'13

### COMFORT

4 independent seats

Manual 6-speed gearbox — for T5, D2, D3, D4 engines)

Manual 5-speed gearbox — for 2.0, 2.0F engines

Positive Temperature Control (PTC) - only for D2, D3, D4 engines

KIR — KEY INTEGRATED REMOTE

Dynamic chassis

ECC – Electronic Climate Control, Dual zone

Dust and pollen filter

Air recirculation function

Driver's seat with height adjustment

Adjustable lumbar support in driver's seat

Tilt and telescopic steering wheel column

Armrest, front

Front power windows with auto-up and auto-down

Vanity mirror in sunblind, passenger side

Front reading lamps

Illuminated and lockable glove box

### VERSATILITY

15" steel wheels (for 2.0, 2.0F and D2 engines), 16" steel wheels (for D3 engine)

Foldable rear seat backrests

Emergency repair kit instead of spare wheel

PERFORMANCE sound system: 1-CD, 4 x 20W, 6 loudspeakers (4 wide-range loudspeakers 6.5" — 2 in front doors and 2 in side rear panels, 2 tweeter loudspeakers in doors), AUX socket (compatible modes: MW and FM)

Radio display with information in Polish

Coat hanger in passenger headrest

Fabric upholstery (FALSTERBO – code 57xx)

Rear spoiler for T5, D3 and D4

# STANDARD EQUIPMENT

## VOLVO C30 MY'13

Storage compartment in front armrest

BAUXITE interior trim: doors, glove box

Leather parking brake lever

Rear armrest

Front cup holders

Non-painted outer side mouldings (black)

Trip computer in Polish language adaptation

Coin holder in glove box

Color coordinated rear view mirrors

### **D2 START-STOP INCLUDES D2 EQUIPMENT AND ADDITIONALLY:**

Gearshift indicator

Heightened gear ratios

Lowered chassis (10 mm)

Transmission oil to reduce internal resistance

Optimized engine management system and power steering

Interior humidity sensor

Automatically dimmed inner rear view mirror

Flat underbody panels for improved airflow

Partly covered front grille

Rear bumper with integrated diffusor

Rear spoiler

Start-Stop Automatic

### **KINETIC INCLUDES**

16" alloy wheels CONVECTOR 205/55

Leather steering wheel

Leather gear lever

Illumination for vanity mirrors in sunblinds for driver and passenger

# STANDARD EQUIPMENT

## VOLVO C30 MY'13

Load cover, soft

Textile floor mats

### **BUSINESS EDITION INCLUDES KINETIC EQUIPMENT AND ADDITIONALLY:**

Cruise control

Steering wheel integrated audio controls

ALUMINIUM interior trim

High Performance Sound audio system

Parking assist, rear

Day running LED lights

Hands-free Bluetooth synchronization phone system

CHRONO instruments panel

alloy wheels CONVECTOR (205/55)

LEKSAND fabric upholstery, code 5Hxx\*

Painted outer low mouldings, "Black Sapphire"

### **BUSINESS EDITION PRO INCLUDES BUSINESS EDITION EQUIPMENT AND ADDITIONALLY:**

Road Traffic Information system

Leather upholstery (vinyl elements in leather trim) code 5Dxx\*

Passenger seat height adjustment

Power retractable door mirrors with puddle lights

Automatically dimmed inner rear view mirror

Rain sensor

Interior humidity sensor

# STANDARD EQUIPMENT

VOLVO C30 MY'13

## R-DESIGN INCLUDES KINETIC EQUIPMENT AND ADDITIONALLY:

Leather upholstery R-Design (code 5Fxx\*)

High Performance Sound audio system

Parking assist, rear

Cruise control

17" alloy wheels CRATUS

Day running LED lights

Hands-free Bluetooth synchronization phone system

R-Design leather steering wheel

Steering wheel integrated audio controls

Load cover, soft

Illumination for vanity mirrors in sunblinds for driver and passenger

R-DESIGN ALUMINIUM interior trim

R-Design gear shift lever knob

R-DESIGN floor mats

R-Design instruments panel

R-Design sport dials

Outside rear view mirror, R-Design

Dual exhaust tail pipes, R-Design (for T5 and D4)

R-Design front grill

# STANDARD EQUIPMENT

VOLVO C30 MY'13

## ADDITIONAL EQUIPMENT

VOLVO C30 MY'13						PRICE IN PLN, incl. VAT			
	CODE	standard	KINETIC/ R-Design	BUSINESS EDITION	BUSINESS EDITION PRO	standard	KINETIC/ R-Design	BUSINESS EDITION	BUSINESS EDITION PRO
<b>SAFETY</b>									
Active Bi-Xenon headlights with headlamp cleaning system	605+065	○	○	○	○	5,190	5,190	5,190	5,190
Passenger airbag cut-off switch	641	●	●	●	●	0	0	0	0
Rain sensor for windshield wipers	370	○	○	○	●	410	410	410	0
Laminated glass, side windows	236	○	○	○	○	980	980	980	980
Front fog lights (in front spoiler)	016	○	○/●	●	●	830	830/0	0	0
Day running LED lights (take the place of front fog lights)	667	○	○/●	●	●	980	980/0	0	0
Headlight cleaning system	065	○	○	○	○	1,060	1,060	1,060	1,060
ISOFIX child seat mountings (rear seats)	429	●	●	●	●	0	0	0	0
BLIS – Blind Spot Information System. Always with 167 option.	603	○	○	○	○	2,900	2,900	2,900	2,900
Volvo Guard Alarm with mass movement sensor and inclination sensor	140	●	●	●	●	0	0	0	0
Daytime running lights function for dipped beam (dipped beam permanently switch on)	671	○	○	○	○	0	0	0	0
<b>COMFORT</b>									
Geartronic automatic transmission with sequential gear changing function (T5, D3 and D4)		○	○	○	○	8,800	8,800	8,800	8,800
Power sunroof	030	○	○	○	○	3,430	3,430	3,430	3,430
Power front passenger seat (always with 047+385 option), not available with 057 option.	010	○	○	○	○	1,970	1,970	1,430	1,430
Power driver seat with position memory. Always with 385 option	047+385	○	○	○	○	3,380	3,380	3,380	3,380
ECC – ELECTRONIC CLIMATE CONTROL (two zones)	007	●	●	●	●	0	0	0	0
AQS – AIR QUALITY SYSTEM – always with 007 option	439	○	○	○	○	350	350	350	350
Interior humidity sensor (always with 168 or 454 option). Standard for START/STOP version.	727	○	○	○	●	210	210	210	0
Trip computer	049	●	●	●	●	0	0	0	0
Heated front seats	011	○	○	○	○	1,130	1,130	1,130	1,130
Bluetooth™ phone-synchronization. Always with 235 option. AUX input is deleted when option is ordered with Performance Sound system.	732	○	○/●	●	●	1,390	1,390/0	0	0
Rear armrest	113	●	●	●	●	0	0	0	0
Illumination for vanity mirrors in sunblinds for driver and passenger	101	○	●	●	●	180	0	0	0

# ADDITIONAL EQUIPMENT

# ADDITIONAL EQUIPMENT

VOLVO C30 MY'13						PRICE IN PLN, incl. VAT			
	CODE	standard	KINETIC/ R-Design	BUSINESS EDITION	BUSINESS EDITION PRO	standard	KINETIC/ R-Design	BUSINESS EDITION	BUSINESS EDITION PRO
Passenger seat with height adjustment (with adjustable lumbar support)	057	○	○	○	●	530	530	530	0
Leather steering wheel	029	○	●	●	●	660	0	0	0
Leather gear lever	333	○	●	●	●	280	0	0	0
Leather parking brake lever		●	●	●	●	0	0	0	0
Additional cabin heater (FFH) with timer (not available for 2.0F engine). Option 273 deletes PTC.	273	○	○	○	○	4,140	4,140	4,140	4,140
<b>VERSATILITY</b>									
Front cup holders	074	●	●	●	●	0	0	0	0
Power retractable rear view mirrors (incl. puddle lights) with automatic folding function after locking the car.	167	○	○	○	●	1,060	1,060	1,060	0
Bottle holder	556	○	○	○	○	160	160	160	160
Automatically dimmed inner rear view mirror (standard for Start/Stop)	168	○	○	○	●	630	630	630	0
Automatically dimmed inner rear view mirror with compass	454	○	○	○	○	920	920	920	290
Road Traffic Information system (RTI) – steering wheel keypad for RTI and audio controls (always with 029, not available with PERFORMANCE audio system). Map saved on HDD disc	142	○	○	○	●	8,700	8,700	8,700	0
Textile floor mats (4 pcs.)	100	○	●	●	●	410	0	0	0
Cruise control - always with 29 or 329 option	033	○	○/●	●	●	1,390	1,390/0	0	0
KEYLESS VEHICLE (keyless unlocking/locking and starting the engine)	583	○	○	○	○	2,900	2,900	2,900	2,900
PARK ASSIST, rear	529	○	○/●	●	●	1,790	1,790/0	0	0
Cigarette lighter and ashtray (includes 074 option)	145	○	○	○	○	250	250	250	250
Load cover, hard – only in connection with 113 option	739	○	○	○	○	720	420	420	420
Load cover, soft	078	○	●	●	●	300	0	0	0
Sun glass holder	289	○	○	○	○	120	120	120	120
HomeLink™ - always with 101 option (illumination for vanity mirrors in sunblinds for driver and passenger). System works with certain devices only.	372	○	○	○	○	750	750	750	750
<b>AUDIO</b>									
PERFORMANCE sound system, 4x20W, 1-CD, 4 loudspeakers		●	●/-	-	-	0	0/-	-	-
HIGH PERFORMANCE audio system, 1-CD with MP3 decoder, 4x40W, 8 loudspeakers, USB connection	502	○	○/●	●	●	1,590	1,590/0	0	0
PREMIUM audio system, 1-CD with MP3 decoder, 4 x 130W + 1 x 130W, 12 loudspeakers, with Dolby Pro-Logic II*. Always with 505 option. USB connection	503	○	○	○	○	6,410	6,410/4,820	4,820	4,820
6-CD player with MP3 decoder (only with 502 or 503 option, removes USB connection)	505	○	○	○	○	1,200	1,200	1,200	1,200

# ADDITIONAL EQUIPMENT

# ADDITIONAL EQUIPMENT

VOLVO C30 MY'13						PRICE IN PLN, incl. VAT			
	CODE	standard	KINETIC/ R-Design	BUSINESS EDITION	BUSINESS EDITION PRO	standard	KINETIC/ R-Design	BUSINESS EDITION	BUSINESS EDITION PRO
Steering wheel audio controls (include in 142 option)	235	○	○/●	●	●	440	440/0	0	0
<b>WHEELS</b>									
7.0x18" alloy wheels MIDIR Diamond Cut (215/45 R 18 tires). Only for R-DESIGN. Not available for D2 engine.	800048	-	-/○	-	-	-	-/1,480	-	-
7.0x18" alloy wheels ATREUS Diamond Cut (215/45 R18 tires). Not available for D2 engine.	800017	○	○	○	○	6,690	2,950/1,480	2,950	2,950
17" alloy wheels CRATUS (only for R-DESIGN)		-	-/●	-	-	-	-/0	-	-
7.0x17" alloy wheels SERAPIS (205/50 R17 tires). Not available for R-Design	787	○	○/-	○	○	5,220	1,480/-	1,480	1,480
7.0x17" alloy wheels SPARTACUS (205/50 R17 tires). Not available for R-Design	888	○	○/-	○	○	5,220	1,480/-	1,480	1,480
7.0x17" alloy wheels STYX WHITE (205/50 R17 tires)	827	○	○/-	○	○	5,220	1,480/-	1,480	1,480
7.0x17" alloy wheels SPIDER (205/50 R17 tires)	659	○	○/-	○	○	5,820	2,070/-	2,070	2,070
6.5x16" alloy wheels CORDELIA. Not available for R-Design	784	○	○/-	○	-	3,750	0/-	0	-
6.5x16" alloy wheels LIBRA (only for D2)	842	○	○	○	○	3,750	0	0	0
6.5x16" alloy wheels CONVECTOR (205/55 R16 tires). Not available for R-Design	826	○	●/-	●	●	3,750	0/-	0	0
6.5x15" alloy wheels ISIS (195/65 R15 tires). Not available for D3, D4 and T5 engines	708	○	○/-	-	-	2,380	0/-	-	-
16" steel wheels (for D3 engine)		●	-	-	-	0	-	-	-
6.5x15" alloy wheels LIBRA (195/65 R15 tires). Only for D2 engine	841	○	○/-	-	-	2,380	0/-	-	-
15" steel wheels (for 2.0, 2.0F and D2 engines)		●	-	-	-	0	-	-	-
Emergency repair kit instead of spare wheel	668	●	●	●	●	0	0	0	0
16" compact spare wheel 125/85 R16 (with jack, 676 option)	165	○	○	○	○	300	300	300	300
Lockable wheel bolts (only for alloy wheels)	312	○	○	○	○	320	320	320	320
Jack	676	○	○	○	○	0	0	0	0
<b>UPHOLSTERY</b>									
Leather upholstery (vinyl elements in leather trim)	5Dxx*	○	○/-	○	●	6,020	6,020/-	4,220	0
Leather upholstery (vinyl elements in leather trim) for R-DESIGN	5FSx*	-	-/●	-	-	-	-/0	-	-
LEKSAND upholstery. Not available for R-Design	5Hxx*	○	○/-	●	○	1,810	1,810/-	0	0
FALSTERBO upholstery. Not available for R-Design	57xx*	●	●/-	-	-	0	0/-	-	-

# ADDITIONAL EQUIPMENT

# ADDITIONAL EQUIPMENT

VOLVO C30 MY'13

PRICE IN PLN, incl. VAT

	CODE	standard	KINETIC/ R-Design	BUSINESS EDITION	BUSINESS EDITION PRO	standard	KINETIC/ R-Design	BUSINESS EDITION	BUSINESS EDITION PRO
<b>INTERIOR TRIM</b>									
BAUXITE interior trim		●	●/-	-	-	0	0/-	-	-
ALUMINIUM interior trim: side doors, central console. Not available for R-Design	437	○	○/-	●	●	1,060	1,060/-	0	0
LIGHT OAK interior trim: side doors, central console. Not available for R-Design	762	○	○/-	○	○	1,610	1,610/-	540	540
OYSTER BURST interior trim: side doors, central console. Not available for R-Design	851	○	○/-	○	○	1,060	1,060/-	0	0
Gear shift knob, leather with aluminium inlays (standard for R-Design)	672	○	○/●	○	○	330	330/0	330	330
3-spoke leather steering wheel with aluminium application	673	○	○/-	○	○	1,610	950/-	950	950
3-spoke leather steering wheel. Not available for R-Design	029	○	●/-	●	●	660	0/-	0	0
Roll top center console LAMINATED OAK. Always with 762 option. Not available for R-Design	825	○	○/-	○	○	660	660/-	660	660
<b>BODY TRIM</b>									
Metallic or pearl paint		○	○	○	○	2,600	2,600	2,600	2,600
Electric Silver — special metallic paint	477	○	○	○	○	3,800	3,800	3,800	3,800
Rabel Blue — paint	619	○	○	○	○	1,000	1,000	1,000	1,000
Rear spoiler (standard for T5, D4, D3 and R-Design). Not available for D2 engine	038	○	○/●	○	○	1,260	1,260/0	1,260	1,260
Painted outer low mouldings, BLACK (452)		-	-	●	●	-	-	0	0
Painted outer low mouldings, TERRA BRONZE (494)	844	-	-	○	○	-	-	0	0
Painted outer low mouldings, BLACK CURRANT	846	-	-	○	○	-	-	0	0
Painted outer low mouldings, JAVA BROWN	845	-	-	○	○	-	-	0	0
Painted outer low mouldings, TITANIUM GREY (455)	848	-	-	○	○	-	-	0	0
Non-painted outer low mouldings		●	●	-	-	0	0	-	-
<b>MISCELLANEOUS</b>									
Diesel particle filter (DPF) only for D2, D3, D4 engines		●	●	●	●	0	0	0	0
Without rear engine emblem	308	○	○	○	○	0	0	0	0
Without rear car-type emblem and rear engine emblem (includes 308 option)	313	○	○	○	○	0	0	0	0
Sport suspension	800051	○	○	○	○	2,020	2,020	2,020	2,020

## ADDITIONAL EQUIPMENT

## ADDITIONAL EQUIPMENT

VOLVO C30 MY'13

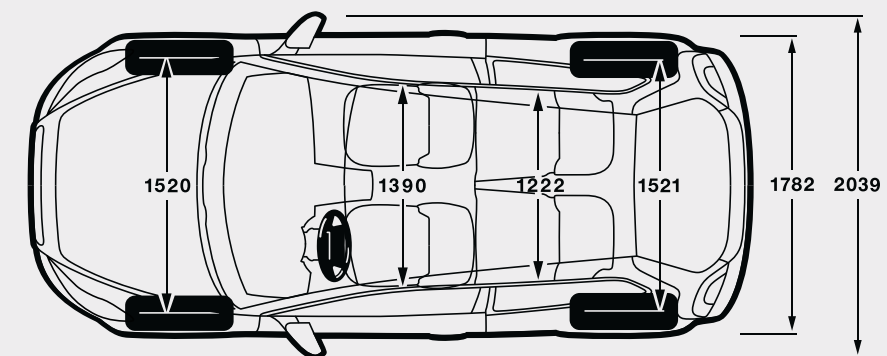
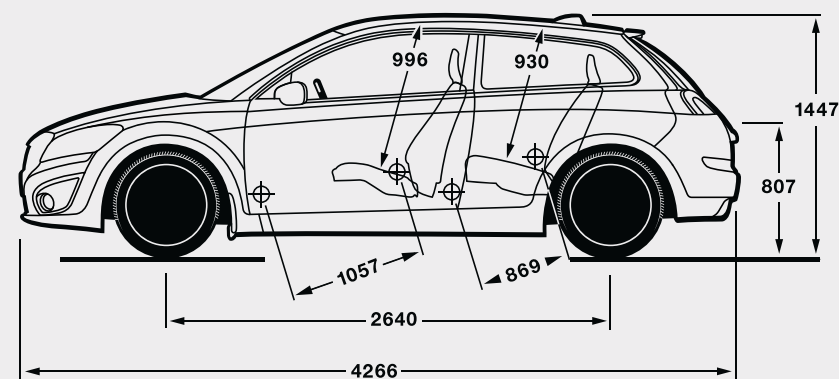
PRICE IN PLN, incl. VAT

	CODE	standard	KINETIC/ R-Design	BUSINESS EDITION	BUSINESS EDITION PRO	standard	KINETIC/ R-Design	BUSINESS EDITION	BUSINESS EDITION PRO
<b>PACKAGES</b>									
<b>SAFETY</b> includes 236, 263, 266 and 583 options: - Laminated glass, side windows (236 option) - Inclination sensor (263 option) - Mass movement sensor, MMS (266 option) - Keyless Drive (583 option)	MCZVU	○	○	○	○	2,910	2,910	2,910	2,910
<b>WINTER</b> includes 011 and 065 options - Heated seats, front (011 option) - Headlight washers (065 option)	MCZVT	-	○	○	○	-	1,640	1,640	1,640
<b>WINTER PLUS</b> includes 011, 065 and 605 options - Heated seats, front (011 option) - Active Bi-Xenon headlights (605 option) - Headlight washers (065 option)	MCZVS	-	○	○	○	-	4,740	4,740	4,740
<b>R-DESIGN PRO EDITION</b> includes 057, 142, 167 and 370 options - Manually adjustable front passenger's seat - 6 directions (057 option) - Road Traffic Information system (RTI) (142 option) - Power retractable door mirrors with puddle lights (167 option) - Rain sensor (370 option)	MCZVE	-	-/○	-	-	-	-/9,000	-	-
<b>OTHER ACCESSORIES*</b>									
Roof box "Sport time" 200	31265356	○	○	○	○	1,612	1,612	1,612	1,612
Roof box "Sport time" 500	31265357	○	○	○	○	1,230	1,230	1,230	1,230
Bike roof carrier	31217060	○	○	○	○	255	255	255	255
Mud flaps, front	30664342	○	○	○	○	195	195	195	195
Mud flaps, rear	30664346	○	○	○	○	195	195	195	195
Rubber mats set	39807171	○	○	○	○	370	370	370	370
Bulbs set	30796586	○	○	○	○	121	121	121	121
Luggage compartment mat	30660524	○	○	○	○	605	605	605	605
Cooler and heater box	9184606	○	○	○	○	738	738	738	738
Transformer for cooler	9481788	○	○	○	○	456	456	456	456
Roof carriers	30664690	○	○	○	○	862	862	862	862
Tow bar (price without installation costs)	30756955	○	○	○	○	1,910	1,910	1,910	1,910

# SPECIFICATIONS VOLVO C30 MY'13

ENGINE	2.0	2.0F	T5	D2	D2 START/STOP	D3	D4
Engine code/symbol	43/B4204S3	04/B4204S4	67/B5254T7	84/D4162T	84/D4162T	58/D5204T5	50/D5204T
Number of cylinders	4	4	5	4	4	5	5
Number of valves	16	16	20	8	8	20	20
Displacement (cm <sup>3</sup> )	1999	1999	2521	1560	1560	1984	1984
Maximum power (HP/rpm)	145/6000	145/6000	230/5000	115/3600	115/3600	150/3500	177/3500
Maximum torque (Nm/rpm)	185/4500	185/4500	320/1500-5000	270/1750-2750	270/1750-2750	350/1500-2750	400/1750-2750
Maximum speed (km/h)							
manual transmission	210	210	240	195	195	210	220
automatic transmission	-	-	235	-	-	205	215
Acceleration 0-100 km/h (s)							
manual transmission	9.4	9.4	6.7	11.3	11.3	9.4	8.6
automatic transmission	-	-	7.1	-	-	9.5	8.7
Fuel consumption (l/100 km)							
urban cycle (man./auto.)	10.8/-	11.0/-	12.6/13.5	5.3/-	4.2/-	6.8/7.9	6.8/7.9
route cycle (man./auto.)	5.8/-	5.9/-	6.4/6.5	3.8/-	3.3/-	4.2/4.6	4.2/4.6
mixed cycle (man./auto.)	7.6/-	7.8/-	8.7/9.0	4.3/-	3.6/-	5.1/5.8	5.1/5.8
CO <sub>2</sub> emission (g/km), average (man./auto.)	177/-	185/-	203/211	114/-	94/-	134/154	134/154

VOLVO C30



\* - figures relate to consumption of petrol. Because of lower calorific value for E85 fuel, consumption of E85 may be 40% higher than that of petrol.

**VOLVO**  
**ASSISTANCE**

## ASSISTANCE

DURING A TRIP THERE IS ALWAYS A POSSIBILITY THAT YOU MAY EXPERIENCE A BREAKDOWN. THAT IS WHY VOLVO OFFERS EVERY CUSTOMER AN INSURANCE RELATED WITH BREAKDOWNS FOR THREE YEARS, IN ALL EUROPE, 24 HOURS A DAY. APART FROM CIRCUMSTANCES WE WILL TAKE CARE OF PASSENGERS AND A VEHICLE.

**VOLVO**  
**UBEZPIECZENIE**

## INSURANCE PACKAGE

EVERY NEW VOLVO VEHICLE CAN BE EQUIPPED WITH COMPLETE INSURANCE PACKAGE. PRICES START FROM 2,7% TO 4,0% OF THE VEHICLE'S VALUE. INSURANCE RATE DEPENDS ON AREA OF POLAND AND PERIOD OF ACCIDENT-FREE DRIVING.

**VOLVO**  
**KREDYT**

## LOAN FOR OUR CUSTOMERS

FINANCING OF YOUR NEW VOLVO HAS NEVER BEEN SO SIMPLE. WITH COMPREHENSIVE BASIC OFFER AND ATTRACTIVE CONDITIONS OF SPECIAL OFFERS YOU CAN CHOOSE THE BEST LOAN VARIANT. MAKE YOUR DREAMS COME TRUE WITH VOLVO CAR FINANCIAL SERVICES.

**VOLVO**  
**LEASING**

## LEASING TERMS THAT SUIT YOUR NEEDS

WE OFFER EASY LEASING TERMS TO KEEP YOUR CASH INVESTMENT AT MINIMUM. VOLVO CAR FINANCIAL SERVICES MEANS CLEAR, SIMPLE PROCEDURE AND EXCEPTIONALLY ATTRACTIVE SPECIAL OFFERS. LEASING TERMS CAN BE SUBJECT TO NEGOTIATIONS AT ORDERING FOR MANY CARS.

**VOLVO**  
**GWARANCJA**

## WARRANTY

OUR CUSTOMERS AND THEIR VEHICLES ARE ALWAYS UNDER A PROFESSIONAL TREATMENT. WE CAN ASSURE TWO YEARS WARRANTY PERIOD AND TWELVE YEARS WARRANTY AGAINST RUST PERFORATION FOR NEW VOLVO VEHICLES PURCHASED FROM AUTHORIZED DEALERS. TERMS OF WARRANTY ARE AVAILABLE AT AUTHORIZED VOLVO DEALERS.

**VOLVO**  
**SAMOCZODY**  
**UŻYWANE**

## VEHICLE TAKEN IN CLEARING

IF CUSTOMER DECLARES A WILL OF BUYING A NEW VOLVO WE WILL READILY BUY HIS PRESENT VEHICLE. BY THIS WAY IT IS EASIER TO JOIN A VOLVO FAMILY.

**VOLVO**  
**STAŁA CENA**

## CONSTANT PRICE GUARANTEE

PRICES IN PLN ARE CONSTANT AND THEY DO NOT VARY WITH A RATE OF EXCHANGE.

**VOLVO**  
**UMOWA**  
**OPIEKI**  
**SERWISOWEJ**

## SERVICE CARE AGREEMENT

FIXED, MONTHLY RATES ASSURE CARRY OUT SERVICES AND REPAIRS WITH USING ORIGINAL SPARE PARTS WITHOUT EXTRA COST. DETAILS ARE AVAILABLE AT AUTHORIZED DEALERS.

### Remark

This price list was prepared with proper accuracy, so contained information would be current as much as possible. However some data might be inaccurate, because of changes during production made after printing of that material. Please, therefore, always consult your Dealer or Volvo Auto Polska for the latest details of specification and for current prices. The right is reserved to change specifications, prices and colors at any time and without prior announcement.

- Price list and all the information are not an offer as stated in law and are published only for information purposes, without any liability
- This price list replaces all previous price list versions
- Prices refer to the standard equipment
- Prices and specifications are subjected to change without prior information
- Prices in PLN are constant and do not vary with a rate of exchange.

Date of price list 25/04/2012 (C30/A/2012) v.1