



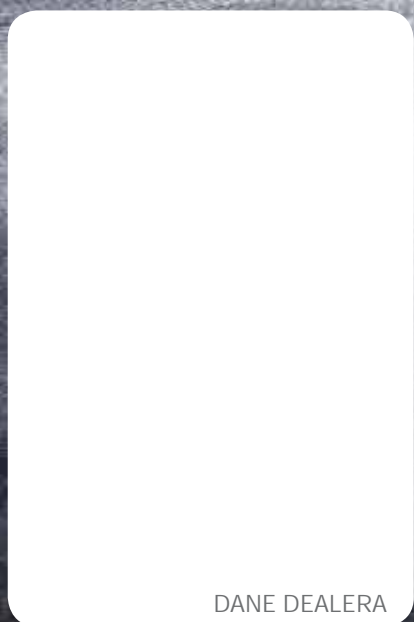
volvo auto  
polska

volvocars.pl



PRICE LIST MY'13 (APRIL 2012)

# volvo xc90 executive



DANE DEALERA

volvocars.pl

# CONTENTS

PRICE LIST VOLVO XC90 EXECUTIVE

VOLVO XC90 EXECUTIVE STANDARD EQUIPMENT

VOLVO XC90 EXECUTIVE ADDITIONAL EQUIPMENT

SPECIFICATIONS VOLVO XC90 EXECUTIVE

VOLVO SERVICES

NOTES

# VOLVO XC90 EXECUTIVE

# STANDARD EQUIPMENT

MODEL MY'13	ENGINE	TRANSMISSION		PRICE IN PLN		VOLVO XC90 EXECUTIVE MY'13
	(liter/hp)	standard	option	excl. VAT	incl. VAT	SAFETY
XC90 D5 AWD EXECUTIVE	2.4/200	Geartronic auto. 6-speed	-	217,398	267,400	<p>6 airbags: for driver and passenger, two side air bags at front seats, IC inflatable curtains. (Inflatable curtains also for third row in 7-seats version)</p> <p>three-point seat belts on 5 seats with seat belts pretensioners (three-point seat belts on 7 seats for 7-seats version)</p> <p>Seat belt force limiters, front seats</p> <p>Automatic height adjustment of front seat belts</p> <p>Front seats belt reminder</p> <p>Crumple zones</p> <p>Active Bi-Xenon headlights (ABL) with headlamp cleaning system</p> <p>SIPS – SIDE IMPACT PROTECTION SYSTEM</p> <p>WHIPS – WHIPLASH PROTECTION SEATING SYSTEM (front seats)</p> <p>DSTC – DYNAMIC STABILITY AND TRACTION CONTROL</p> <p>Anti-lock Brake System (ABS) with Electronic Brake force Distribution (EBD)</p> <p>EBA – EMERGENCY BRAKE ASSISTANCE</p> <p>RSC – ROLL STABILITY CONTROL</p> <p>Electronically controlled AWD – ALL WHEEL DRIVE with Instant Traction system.</p> <p>Windshield rain sensor</p> <p>First-aid kit and warning triangle</p> <p>Headlamps with power headlight height adjustment</p> <p>VOLVO GUARD ALARM with inclination sensor and mass movement sensor</p> <p>Immobilizer with rolling code</p> <p>Front fog lights (in front spoiler)</p> <p>HOME SAFE light</p> <p>Load protection net, soft (cargo area)</p> <p>Side marker lamps</p>

## STANDARD EQUIPMENT

### VOLVO XC90 EXECUTIVE MY'13

High mounted third stop light

Outside temperature display

Lockable fuel cap

Remote controlled central locking system

Power steering

ISOFIX child seat mountings in rear outer seats (second row)

Integrated booster cushions for children in rear seats

Diesel particle filter (DPF) - only for D5 engine

Parking assist, rear

### COMFORT

Automatic 6-speed transmission – Geartronic

NIVOMAT - automatic body leveling system

KIR — KEY INTEGRATED REMOTE

Power driver's seat with position memory (for seat and door mirrors)

Power front passenger seat

Electrically adjustable and heated outer rear view mirrors

ECC – ELECTRONIC CLIMATE CONTROL

Separate temperature adjustment for driver and passenger side

AQS – AIR QUALITY SYSTEM

Dust and pollen filter

Air recirculation function

Tinted rear windows

IR reflective glass, windscreen and front side windows

Water repellent glass for front side windows

## STANDARD EQUIPMENT

### VOLVO XC90 EXECUTIVE MY'13

Air vents in B-pillars

Additional floor ventilation outlets (for 7-seats version)

Tilt and telescopic steering wheel column

Power windows, front and rear, with auto-up and auto-down function for front windows.

Front seats with height adjustment

Adjustable lumbar support in front seat backrests

Illuminated vanity mirrors for driver and passenger

Reading lamps, front and rear

Illuminated and lockable glove box

Leather steering wheel

Cruise control

Steering wheel integrated audio controls

Front armrest

Comfortable armrests in front doors

POWER CHILD LOCK, rear doors (for 7-seats version).

Integrated child booster cushion in rear armrest (for 7-seats version).

Power driver seat with position memory (always with 385 option)

### VERSATILITY

18" alloy wheels THALIA (235/60 R 18 tires)

Emergency repair kit instead of spare wheel

Cross Country silver roof rails

Split rear seat backrest (5-seats, truck version)

Split rear seat (40/20/40) for 7-seats version

Front-rear adjustable all seats in second row (for 7-seats version)

## STANDARD EQUIPMENT

### VOLVO XC90 EXECUTIVE MY'13

Color coordinated wheel covers

Color coordinated door handles

Chrome rear view mirrors covers

Headlamp cleaning system

Color coordinated outer side mouldings

Color coordinated bumpers

Trip computer

Fabric floor mats, EXECUTIVE (for first and second row)

Premium Sound audio system, 5x130W, antenna, 12 loudspeakers, (compatible modes: MW and FM)

Headphones outlets for rear seats

Road Traffic Information system (RTI) with map saved on HDD, steering wheel keypad for RTI control. Map covers selected areas of Poland

Foldable front passenger seat backrest

Automatically dimmed inner rear view mirror

Bag holder in luggage compartment

Load cover, soft

Power retractable door mirrors

Ground lighting in door mirrors

12V power outlet in centre console

12V power outlet in cargo area

Coat hanger in passenger headrest

Front cup holders

EXECUTIVE wood interior trim

Leather upholstery EXECUTIVE SOFTLEATHER (CUxx\*)

Ventilated front seats with massage function

\* last two digits of upholstery code refer to available color sets

## STANDARD EQUIPMENT

### VOLVO XC90 EXECUTIVE MY'13

Heated front and rear seats

SERVOTRONIC – speed sensitive power steering

Hands-free Bluetooth synchronization phone system

Tinted rear windows

# ADDITIONAL EQUIPMENT

# ADDITIONAL EQUIPMENT

VOLVO XC90 EXECUTIVE MY'13

PRICE IN PLN, incl. VAT

## SAFETY

### CODE

Laminated, water repellent glass in side windows. The choice deletes 179 option.	236+595	○	2,560
Rain sensor for windshield wipers	370	●	0
Active Bi-Xenon headlights (ABL) with headlamp cleaning system	605+065	●	0
Headlamp cleaning system	065	●	0
Passenger airbag cut-off switch (not available with 568 option)	641	●	0
POWER CHILD LOCK, rear doors. Deletes double door lock (always with 014 option).	114	○	0
BLIS (Blind Spot Information System)	603	○	3,000
Volvo Guard Alarm with mass movement sensor and inclination sensor	140	●	0
Daytime running lights function for dipped beam (LED)	671	●	0

## COMFORT

Power sunroof	030	○	4,240
Geartronic automatic transmission		●	0
PARK ASSIST, rear	529	●	0
IR reflective glass, windscreen and front side windows	386	○	1,800
NIVOMAT - automatic body leveling system	021	●	0
Power driver seat	047	●	0
Power front passenger seat	010	●	0
Driver's seat position memory	385	●	0
Third seat row (not available for truck version)		●	0
Additional heater with timer (for D5 engine)	273	○	900
Air conditioning for third seat row, includes C-pillar ventilation	517	○	3,340
Water repellent glass for front side windows	595	●	0

## ADDITIONAL EQUIPMENT

VOLVO XC90 EXECUTIVE MY'13

## ADDITIONAL EQUIPMENT

PRICE IN PLN, incl. VAT

	CODE		
<b>VERSATILITY</b>			
Load cover, soft	078	●	0
Silver roof rails	729	●	0
Road Traffic Information system (RTI) with map saved on HDD, steering wheel keypad for RTI control	142	●	0
Power retractable door mirrors (incl. puddle lights)	167	●	0
Automatically dimmed inner rear view mirror	168	●	0
Compass for automatically dimmed inner rear view mirror	454	○	460
Rear mud flaps	279	○	290
Bag holder in luggage compartment	346	●	0
SERVOTRONIC – speed sensitive power steering	171	●	0
Cigarette lighter and ashtray (front and rear). Ashtray takes the place of one front cup holder.	145	○	250
Tinted rear windows (not available with 236 option)	179	○	2,560
HomeLink™ (system works with certain devices only)	372	○	750
Hands-free Bluetooth synchronization phone system	732	●	0
<b>AUDIO</b>			
PREMIUM sound system with 12 Dynaudio loudspeakers, 5x130W, Dolby Pro-Logic II*	503	●	0
HIGH PERFORMANCE audio system, 8 loudspeakers, 4x40W	502	–	–
6-CD player	505	○	1,550
Headphones outlets for rear seats	509	●	0
<b>WHEELS</b>			
7.5x18" alloy wheels, THALIA	800093	●	0
7.0x18" alloy wheels, SITULA	821	○	0
8.0x19" alloy wheels, GALATEIA	800090	○	3,420

\* Dolby Pro-Logic function can be restricted when receiving analog radio signal.

## ADDITIONAL EQUIPMENT

VOLVO XC90 EXECUTIVE MY'13

## ADDITIONAL EQUIPMENT

PRICE IN PLN, incl. VAT

	CODE		
Lockable wheel bolts	312	●	0
Emergency repair kit instead of spare wheel	668	●	0
Compact spare tire	165	○	300
<b>UPHOLSTERIES</b>			
Leather upholstery EXECUTIVE SOFTLEATHER	CUxx*	●	0
<b>INTERIOR TRIM</b>			
CLASSIC WOOD interior trim	800111	●	0
Wood steering wheel	800113	○	2,400
CHRONO instruments panel		●	0
CLASSIC WOOD gear shift lever knob	800112	●	0
<b>PAINT</b>			
Metallic-pearl paint (except: Electric Silver paint - 477 code, Ember Black - 487 code)		○	3,600
Metallic-pearl paint – Electric Silver (code 477) and Ember Black (code 487)		○	4,600
<b>MISCELLANEOUS</b>			
Diesel particle filter (DPF) - only for D5 engine		●	0
Chiller. Not available with CHxx upholstery	998351	○	3,420
DVD player, RSE (REAR SEAT ENTERTAINMENT), dual LCD screens in front headrests, headphones and remote control	800100	○	8,890
Without rear engine emblem	308	○	0
Without rear car-type emblem and rear engine emblem (includes 308 option)	313	○	0
POLISH for instrument and radio	750	●	0

\* last two digits of upholstery code refer to available color sets

## ADDITIONAL EQUIPMENT

VOLVO XC90 EXECUTIVE MY'13

## ADDITIONAL EQUIPMENT

CODE

PRICE IN PLN, incl. VAT

### PACKAGES

#### BLACK DESIGN EDITION includes:

- Black Sapphire — metallic paint (452 option)
- Tinted rear windows (179 option)
- 18" alloy wheels THALIA Black (800054 option)

MCZXR

4,620

#### Package **SPECIAL VEHICLE - TYPE C CASH CARRYING CAR** consists of:

- Special bin, secured in holder facilitating fitting and removing, mounted in spare wheel space.
- Immobiliser
- Modular car alarm system featuring capabilities such as:  
panic function, backup power supply, an additional siren, interior monitoring sensors, engine lock system
- Outside monitored satellite-based positioning system and robbery alerting system;
- Alarm transmitting system, sending informations about: vehicle position and speed, opening and closing of cargo or side doors, starting and stopping vehicle's engine, etc.
- Bin compartment illumination

900218

12,915

Note: Bi-fuel (gaseous) system is not permitted in Type C Cash Carrying Car.

### OTHER ACCESSORIES\*

Roof box "Sport time" 200

31265356

1,612

Roof box "Sport time" 500

31265357

1,230

Bike roof carrier

31330896

255

Mud flaps, front

8685555

335

Mud flaps, rear

30744558

335

Rubber mats set

31307314

370

Luggage compartment mat

30681870

605

Bulbs set

30796586

121

Cooler and heater box

9184606

738

Transformer for cooler

9481788

456

Roof carriers

30758162

862

Tow bar (price without installation costs)

31269530

2,030

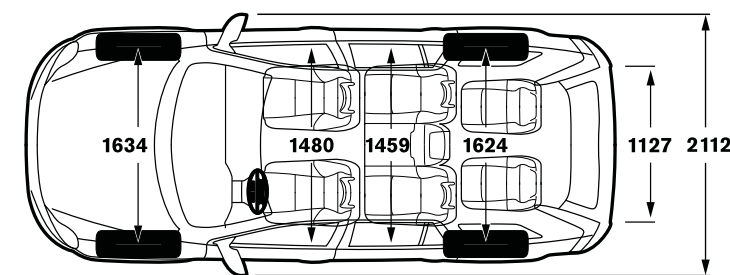
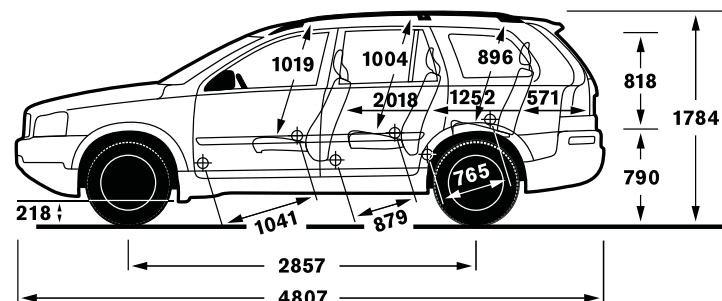
\* A current offer of accessories is available at authorized Volvo dealers. Prices exclude costs of installation and fitting attachments (if needed)

option  standard — not available

# SPECIFICATIONS VOLVO XC90 EXECUTIVE MY'13

ENGINE	D5 AWD
Engine code/symbol	71/D5244T18
Number of cylinders	5
Number of valves	20
Displacement (cm <sup>3</sup> )	2400
Maximum power (HP/rpm)	200/3900
Maximum torque (Nm/rpm)	420/1900–2800
Maximum speed (km/h)	
manual transmission	–
automatic transmission	205
Acceleration 0-100 km/h (s)	
manual transmission	–
automatic transmission	10.3
Fuel consumption (l/100 km)	
urban cycle (man./auto.)	–/11.0
route cycle (man./auto.)	–/6.8
mixed cycle (man./auto.)	–/8.3
CO <sub>2</sub> emission (g/km), average (man./auto.)	–/219

VOLVO XC90 (7-seats version)



\*) Maximum speed is limited electronically

\*) Maximum speed is limited electronically

\*\*) Fuel consumption for 7-seats version. Fuel consumption for 5-seats version is lower about 0.1 l/100km.

VOLVO  
ASSISTANCE**ASSISTANCE**

DURING A TRIP THERE IS ALWAYS A POSSIBILITY THAT YOU MAY EXPERIENCE A BREAKDOWN. THAT IS WHY VOLVO OFFERS EVERY CUSTOMER AN INSURANCE RELATED WITH BREAKDOWNS FOR THREE YEARS, IN ALL EUROPE, 24 HOURS A DAY. APART FROM CIRCUMSTANCES WE WILL TAKE CARE OF PASSENGERS AND A VEHICLE.

VOLVO  
UBEZPIECZENIE**INSURANCE PACKAGE**

EVERY NEW VOLVO VEHICLE CAN BE EQUIPPED WITH COMPLETE INSURANCE PACKAGE. THE PACKAGE'S PRICE IS LOWER AND JUST FLUCTUATES BETWEEN 2.2% AND 3.7% OF THE VEHICLE'S VALUE. INSURANCE RATE DEPENDS ON AREA OF POLAND AND PERIOD OF ACCIDENT-FREE DRIVING.

VOLVO  
KREDYT**LOAN FOR OUR CUSTOMERS**

FINANCING OF YOUR NEW VOLVO HAS NEVER BEEN SO SIMPLE. WITH COMPREHENSIVE BASIC OFFER AND ATTRACTIVE CONDITIONS OF SPECIAL OFFERS YOU CAN CHOOSE THE BEST LOAN VARIANT. (MAKE YOUR DREAMS COME TRUE WITH VOLVO CAR FINANCIAL SERVICES.

VOLVO  
LEASING**LEASING TERMS THAT SUIT YOUR NEEDS**

WE OFFER EASY LEASING TERMS TO KEEP YOUR CASH INVESTMENT AT MINIMUM. VOLVO CAR FINANCIAL SERVICES MEANS CLEAR, SIMPLE PROCEDURE AND EXCEPTIONALLY ATTRACTIVE SPECIAL OFFERS. LEASING TERMS CAN BE SUBJECT TO NEGOTIATIONS AT ORDERING FOR MANY CARS.

VOLVO  
GWARANCJA**WARRANTY**

OUR CUSTOMERS AND THEIR VEHICLES ARE ALWAYS UNDER A PROFESSIONAL TREATMENT. WE CAN ASSURE TWO YEARS WARRANTY PERIOD AND EIGHT YEARS WARRANTY AGAINST RUST PERFORATION FOR NEW VOLVO VEHICLES PURCHASED FROM AUTHORIZED DEALERS. TERMS OF WARRANTY ARE AVAILABLE AT AUTHORIZED VOLVO DEALERS.

VOLVO  
SAMOCHODY  
UŻYWANE**VEHICLE TAKEN IN CLEARING**

IF CUSTOMER DECLARES A WILL OF BUYING A NEW VOLVO WE WILL READILY BUY HIS PRESENT VEHICLE. BY THIS WAY IT IS EASIER TO JOIN A VOLVO FAMILY.

VOLVO  
STAŁA CENA**CONSTANT PRICE GUARANTEE**

PRICES IN PLN ARE CONSTANT AND THEY DO NOT VARY WITH A RATE OF EXCHANGE.

VOLVO  
UMOWA  
OPIEKI  
SERWISOWEJ**SERVICE CARE AGREEMENT**

FIXED, MONTHLY RATES ASSURE CARRY OUT SERVICES AND REPAIRS WITH USING ORIGINAL SPARE PARTS WITHOUT EXTRA COST. DETAILS ARE AVAILABLE AT AUTHORIZED DEALERS.

**Remark**

This price list was prepared with proper accuracy, so contained information would be current as much as possible. However some data might be inaccurate, because of changes during production made after printing of that material. Please, therefore, always consult your Dealer or Volvo Auto Polska for the latest details of specification and for current prices. The right is reserved to change specifications, prices and colors at any time and without prior announcement.

- Price list and all the information are not an offer as stated in law and are published only for information purposes, without any liability
- This price list replaces all previous price list versions
- Prices refer to the standard equipment
- Prices and specifications are subjected to change without prior information
- Prices in PLN are constant and do not vary with a rate of exchange.

Date of price list 25/04/2012 (XC90EXE/A/2012) v.1