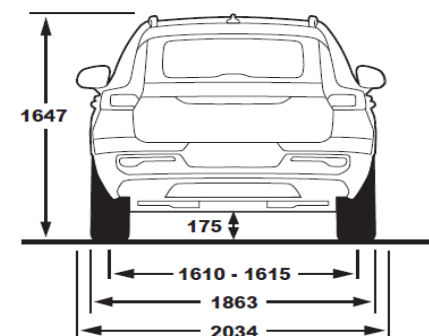
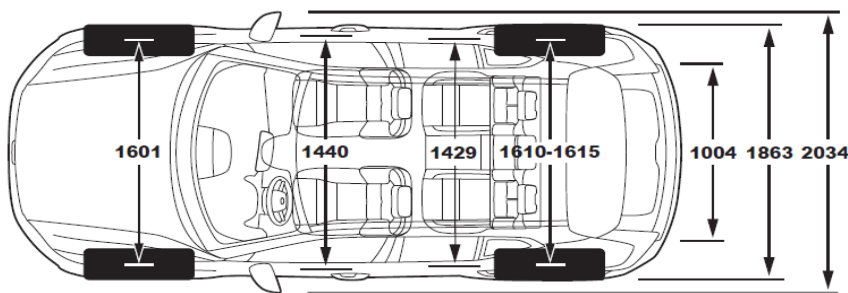
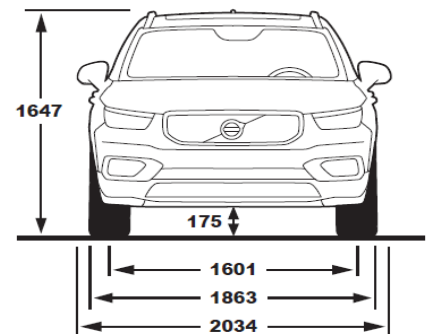
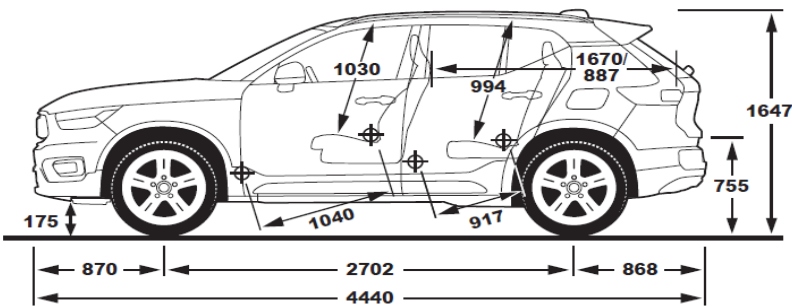


XC40 Specifications - Model Year 2023

V O L V O

	Plus B4	Ultimate B4 Bright	Ultimate B5 Dark	Plus Recharge Pure Electric	Ultimate Recharge Pure Electric
Technical Specifications					
Powertrain	B4 Mild Hybrid	B4 AWD Mild Hybrid	B5 AWD Mild Hybrid	P6 FWD Pure Electric	P8 AWD Pure Electric
Engine / Motor	Four-cylinder turbocharged engine	Four-cylinder turbocharged engine	Four-cylinder turbocharged engine	Recharge Single Electric Motor	Recharge Twin Electric Motor
Drive	Front-Wheel Drive	All-Wheel Drive	All-Wheel Drive	Front Wheel Drive	All-Wheel Drive
Displacement	1,969cc	1,969cc	1,969cc	0cc	0cc
Transmission	Automatic 8-speed	Automatic 8-speed	Automatic 8-speed	Single-speed	Single-speed
Power	145 kW at 4,800-5,400rpm	145 kW at 4,800-5,400rpm	183 kW at 5,400-5,700rpm	170 kW	300 kW
Torque	300 Nm at 1,500-4,200rpm	300 Nm at 1,500-4,200rpm	350 Nm at 1,800-4,800rpm	330 Nm	660 Nm
Acceleration 0-100km/h, seconds	8.4	8.5	6.4	7.4	4.9
Fuel Economy, l/100km*	6.9	7.1	7.2	-	-
Battery Capacity, kWh	-	-	-	69	78
Electric Range, km*	-	-	-	Up to 510	Up to 450
Energy Consumption, Wh/km*	-	-	-	209	255
CO ₂ , g/km*	158	162	165	0	0
CO ₂ , g/km (converted to 3P-WLTP)	176	180	184	0	0
Tare Weight, kg	1,700	1,760	1,752	2,001	2,158
Towing Capacity, kg		2,100		1,500	1,800
Fuel Tank litres		54		0	0
Dimensions					



July 2022 - Model Year 2023

All pricing shown does not include on-road costs and clean car fees unless specified otherwise. For more information visit 'Car Configurator' on the Volvo Car New Zealand website.

Information is correct at the time of printing, however the manufacturer reserves the right to make changes without notice. Please confirm model availability, specification and pricing details with your Volvo dealer. Accessories and / or options fitted to vehicles may affect vehicle performance, range, fuel consumption and emissions.

*Figures according to ADR/NEDC are derived from laboratory testing. Factors including but not limited to driving style, road and traffic conditions, environmental influences, vehicle condition and accessories fitted, means in the real world the range you experience can differ from that advertised. Advertised figures are meant for comparison purposes.

S Standard | NCO No cost option | - Not available | P Pack

XC40 Specifications - Model Year 2023

V O L V O

	Plus B4	Ultimate B4 Bright	Ultimate B5 Dark	Plus Recharge Pure Electric	Ultimate Recharge Pure Electric
Safety					
Airbag, Driver & Passenger					
Knee airbag driver side					
Side Impact Protection System Airbags					
Inflatable Curtain Airbags					
Whiplash protection, front seats	S	S	S	S	S
Belt minder all seats, EU logic					
Isofix - outer position rear seat					
Flashing Emergency Brake Light and Hazard Warning					
Support Systems					
360° Camera includes parking assistance, front, rear & side (139)	\$1,400	S	S	-	S
Park Assist Camera includes parking assistance, front and rear		-	-		-
Adjustable speed limiter					
Adaptive Cruise Control with Traffic Jam Assist 4					
Collision Mitigation Support, front					
Lane Keeping Aid	S			S	
Blind spot Information System with Cross traffic alert		S	S		S
Collision Warning and Mitigation Support, rear					
Personal settings, power steering					
Hill start assist					
Rain sensor					
Hill Descent Control					
Audio & Navigation					
High Performance Sound	S	S	S	S	-
Harman Kardon Premium Sound (1033)	\$1,200	\$1,200	\$1,200	-	S
Remote Engine Start Precond from smartphone app					-
Remote control buttons in steering wheel					
9" Centre Display with touch screen					
2 USB Typ-C Connectors, Front					
Bluetooth connection					
5 volt outlet (2 USB), in rear/lower tunnel consol					
Digital Service, 4 years subscription standard	S	S	S	S	S
Road Sign Information, RSI					
Apple Carplay (Wired)					
Volvo On Call					
Digital Audio Broadcasting, DAB					
Speech function					
Inductive charging for smartphone + NFC					
Climate					
CleanZone (AQS with prevent at unlocking), Multifilter	S	-	-	S	-
CleanZone (AQS with prevent at unlocking), Multifilter 2	-	S	S	-	
Air purifier with Particulate Matter Sensor, aka PM2.5-sensor (1085)	\$600	S	S	-	
Tinted windows, rear side doors and cargo area (179)	\$600	\$600	\$600		
Panoramic sun roof with power operation (30)	\$2,700	\$2,700	\$2,700		S
Heated steering wheel (869)	P	P	P		
Electronic Climate Control, 2 zone				S	
Humidity sensor	S	S	S		
Preventilation + prolonged heating after engine shut off					
Heatpump	-	-	-	S	S
Locking and security systems					
Alarm with interior motion sensor					
Key remote					
Keyless entry and start	S	S	S	S	S
Private locking					
Central lock switch with diode in front doors					
Tempered glass, side and rear windows					
Power child lock, rear side doors				-	

July 2022 - Model Year 2023

All pricing shown does not include on-road costs and clean car fees unless specified otherwise. For more information visit 'Car Configurator' on the Volvo Car New Zealand website.

Information is correct at the time of printing, however the manufacturer reserves the right to make changes without notice. Please confirm model availability, specification and pricing details with your Volvo dealer. Accessories and / or options fitted to vehicles may affect vehicle performance, range, fuel consumption and emissions.

*Figures according to ADR/NEDC are derived from laboratory testing. Factors including but not limited to driving style, road and traffic conditions, environmental influences, vehicle condition and accessories fitted, means in the real world the range you experience can differ from that advertised. Advertised figures are meant for comparison purposes.

S Standard | NCO No cost option | - Not available | P Pack

XC40 Specifications - Model Year 2023

V O L V O

	Plus B4	Ultimate B4 Bright	Ultimate B5 Dark	Plus Recharge Pure Electric	Ultimate Recharge Pure Electric
Luggage Compartment					
Repair Kit	-	-	-	S	S
Temporary sparewheel with Jack				-	-
Power Operated Tailgate	S	S	S	S	S
Foldable floor hatches with grocery bag holder				S	S
Luggage space, front	-	-	-	S	S
Interior					
Carpet kit, textile	S	S	-	S	-
Carpet kit, textile R-design	-	-	S	-	S
Front tread plates, metal Volvo	-	S	S	-	-
Front tread plates, metal Recharge	-	-	-	S	S
Interior illumination high level	S	S	S	-	S
Interior illumination mid level	-	-	-	S	-
Parking ticket holder					
Glovebox curry hook					
Waste bin in front of armrest					
Ash tray lid	S	S	S	S	S
Illuminated vanity mirrors in sunvisor LH / RH side					
Automatically dimmed inner and exterior mirrors					
Charcoal insert colour interior					
Seats					
Heated front seats (11)	P	P	P		
Heated rear seat (752)	P	P	P		
Power adjustable drivers seat with memory					
Power adjustable passengers seat				S	S
4 way power adjustable lumbar support					
Mechanical Cushion Extension, Front Seats	S	S	S		
Mechanical release fold 2:d row rear seat					
Power foldable rear headrests					
Centre armrest with cupholders					
Interior upholstery					
Textile (R7C0) Front Row Only, includes: Charcoal Interior, TPU Gearknob, Charcoal Headlining, Charcoal Carpets, Charcoal Tunnel, Charcoal Door Inserts, Grey Melange Colour Accent, Urban Grid Decor Inlay	NCO	-	-	-	-
Ariane Leather Accented (RD00) Front Row Only, includes: Charcoal Interior, TPU Gearknob, Blond Headlining, Charcoal Carpets, Charcoal Tunnel, Charcoal Door Inserts, Charcoal Colour Accent, Drift Wood Decor Inlay.	S	-	-	-	-
Ariane Leather Accented (RD00) Front Row Only, includes: Charcoal Interior, Crystal Gearknob, Blond Headlining, Charcoal Carpets, Charcoal Tunnel, Charcoal Door Inserts, Charcoal Colour Accent, Drift Wood Decor Inlay	-	S	NCO	-	-
Ariane Leather Accented (UD70) Front Row Only, includes: Blond Interior, TPU Gearknob, Blond Headlining, Blond Carpets, Blond Tunnel, Blond Door Inserts, Blond Colour Accent, Drift Wood Decor Inlay	NCO	-	-	-	-
Ariane Leather Accented (UD70) Front Row Only, includes: Blond Interior, Crystal Gearknob, Blond Headlining, Blond Carpets, Blond Tunnel, Blond Door Inserts, Blond Colour Accent, Drift Wood Decor Inlay	-	NCO	NCO	-	-
Suede Microtech/Textile (R980) Front Row Only, includes: Charcoal Interior, TPU Gearknob, Charcoal Headlining, Charcoal Carpets, Charcoal Tunnel, Charcoal Door Inserts, Charcoal Colour Accent, Cutting Edge Decor Inlay	-	-	S	-	-
Premium Textile (R780) Front Row Only, includes: Charcoal Interior, TPU Gearknob, Charcoal Headlining, Charcoal Carpets, Charcoal Tunnel, Charcoal Door Inserts, Origin Decor Inlay	-	-	-	S	-
Microtech Vinyl (RN80) Front Row Only, includes: Charcoal Interior, TPU Gearknob, Charcoal Headlining, Charcoal Carpets, Charcoal Tunnel, Charcoal Door Inserts, Topography Decor Inlay	-	-	-	-	S

July 2022 - Model Year 2023

All pricing shown does not include on-road costs and clean car fees unless specified otherwise. For more information visit 'Car Configurator' on the Volvo Car New Zealand website.

Information is correct at the time of printing, however the manufacturer reserves the right to make changes without notice. Please confirm model availability, specification and pricing details with your Volvo dealer. Accessories and / or options fitted to vehicles may affect vehicle performance, range, fuel consumption and emissions.

*Figures according to ADR/NEDC are derived from laboratory testing. Factors including but not limited to driving style, road and traffic conditions, environmental influences, vehicle condition and accessories fitted, means in the real world the range you experience can differ from that advertised. Advertised figures are meant for comparison purposes.

S Standard | NCO No cost option | - Not available | P Pack

XC40 Specifications - Model Year 2023

V O L V O

	Plus B4	Ultimate B4 Bright	Ultimate B5 Dark	Plus Recharge Pure Electric	Ultimate Recharge Pure Electric
Exterior					
Handle side door body color, w/o damper, keyless and illumination	S	S	S	S	S
Retractable Rear View Mirrors				S	S
Hidden tail pipes				-	-
Black contrast roof	-	-	-	S	S
Roof rails, integrated bright	S	S	-	-	-
Roof rails, integrated glossy black	-	-	S	S	S
Standard décor, side windows	S	-	-	-	-
Bright décor, side windows	-	S	-	-	-
Gloss black décor, side windows	-	-	S	S	S
Fog light, front	-	S	S	-	S
LED Headlights	S	S	S	S	S
Skid plates, bright	S	S	-	-	-
Skid plates, black	-	-	S	S	S
Exterior Colour - Solid					
Black Stone (019)	S	S	S	S	S
Exterior Colour - Metallic/Pearl					
Crystal White (707)	NCO	NCO	NCO	NCO	NCO
Onyx Black (717)				-	-
Fusion Red (725)				-	-
Thunder Grey (728)				NCO	NCO
Sage Green (733)				-	-
Fjord Blue (734)				-	-
Silver Dawn (735)				-	-
Bright Dusk (736)				NCO	NCO
Standard Wheels					
19" 5-Double Spoke Black Diamond-cut Alloy wheel	-	-	-	S	-
20" 5-Spoke Black Diamond-cut Alloy wheel					S
18" 5-Spoke Silver Alloy wheel	S		-		
19" 5-Y Spoke Matt Graphite Diamond-cut Alloy wheel (1240)	\$2,000	S		-	-
20" 5-Double Spoke Black Diamond-cut Alloy wheel (1243)	-	\$2,000	S		
Tyres					
235/55R18	S	-	-	-	-
235/50R19	with 19" wheel option	S	-	-	-
245/45R20	-	with 20" wheel option	S	-	-
235/50R19	-	-	-	S	-
255/45R19 (Rear)	-	-	-	S	-
235/45R20	-	-	-	-	S
255/40R20 (Rear)	-	-	-	-	S
Indirect Tyre Pressure Monitoring System	S	S	S	S	S
Option Wheels/Tyres					
18" 5-Spoke Black Diamond-cut Alloy wheel (1076)	\$1,000		-		
21" 5-Triple Open Spoke Black Diamond-cut Alloy wheel (800141)	-	-	\$4,000	-	-
Pirelli 245/40R21	-	-	with 21" wheel option	-	-
Lifestyle Package					
Panoramic Sunroof (30)	\$2,900	\$2,900	\$2,900	S	S
Premium Sound System - Harman Kardon (1033)				-	
Climate Package					
Heated Front Seats	\$800	\$800	\$800	S	S
Heated Rear Seat					
Heated Steering Wheel					

July 2022 - Model Year 2023

All pricing shown does not include on-road costs and clean car fees unless specified otherwise. For more information visit 'Car Configurator' on the Volvo Car New Zealand website.

Information is correct at the time of printing, however the manufacturer reserves the right to make changes without notice. Please confirm model availability, specification and pricing details with your Volvo dealer. Accessories and / or options fitted to vehicles may affect vehicle performance, range, fuel consumption and emissions.

*Figures according to ADR/NEDC are derived from laboratory testing. Factors including but not limited to driving style, road and traffic conditions, environmental influences, vehicle condition and accessories fitted, means in the real world the range you experience can differ from that advertised. Advertised figures are meant for comparison purposes.

S Standard | NCO No cost option | - Not available | P Pack