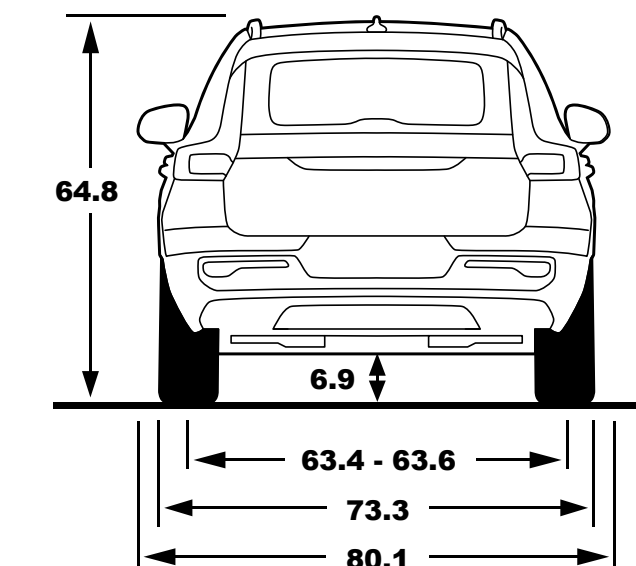
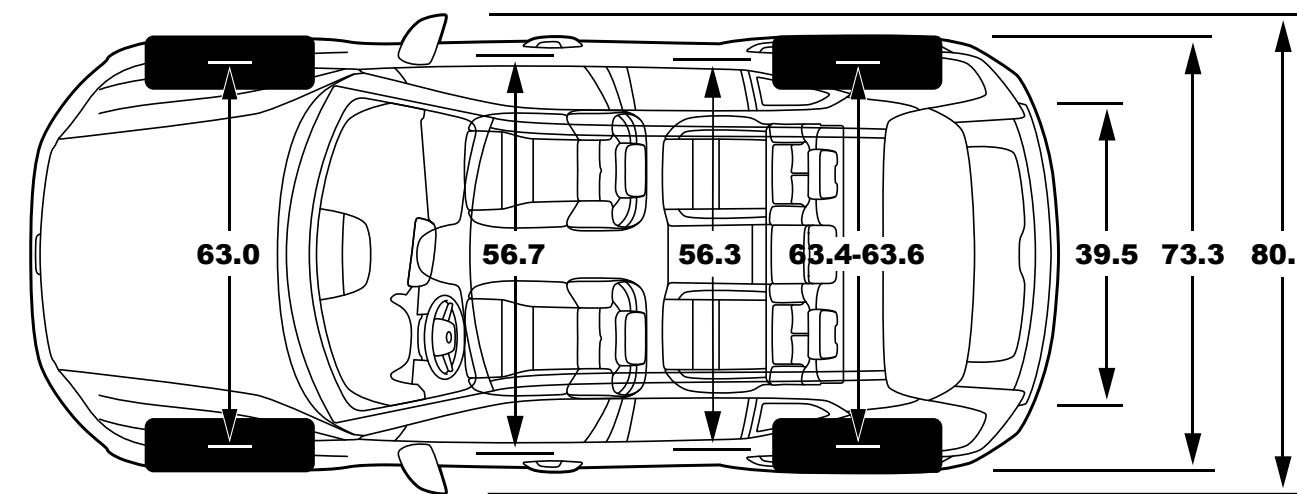
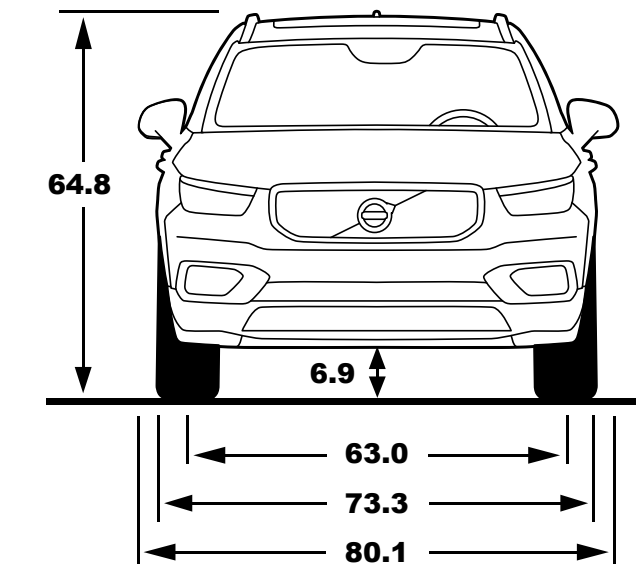
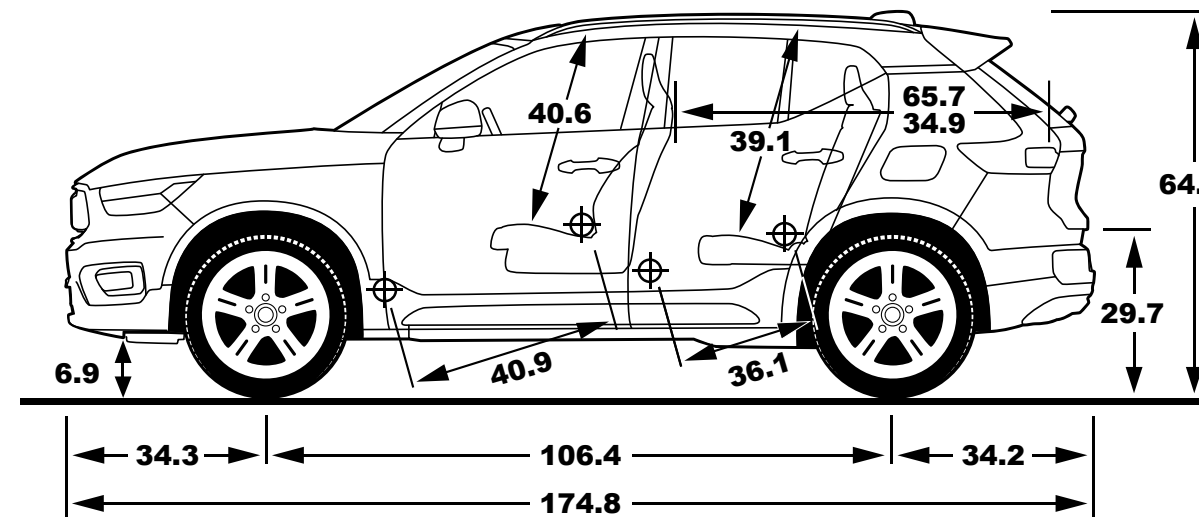


# U.S. Technical Highlights

V O L V O

2024 Volvo XC40 Recharge Single Motor Extended Range

<b>Battery capacity</b>	82 kWh
<b>Battery capacity</b> (usable)	79 kWh
<b>DC Charge rate</b>	200 kW
<b>DC Charge time*</b> (10-80%)	28 min
<b>Power, total</b>	248 hp
<b>Power, front</b>	-
<b>Power, rear</b>	248 hp
<b>Torque</b>	310 lb-ft
<b>Drive type</b>	RWD
<b>0-60 mph</b>	6.9 sec
<b>Range*</b>	293 mi
<b>Cargo capacity</b> (SAE-max)	57.5 ft <sup>3</sup>
<b>Curb weight</b>	4,453 lbs



\*Charging times can vary and are dependent on factors such as outdoor temperature, battery temperature, charging equipment, battery condition and car condition.

\*EPA-estimated 118 city/ 95 highway/ 106 combined MPGe (XC40 Recharge RWD). Your range and MPGe will vary for many reasons, including but not limited to, driving conditions, how and where you drive, how you maintain your vehicle, battery-package/condition, and other factors. Visit [fuel economy.gov](http://fuel economy.gov) for further information.